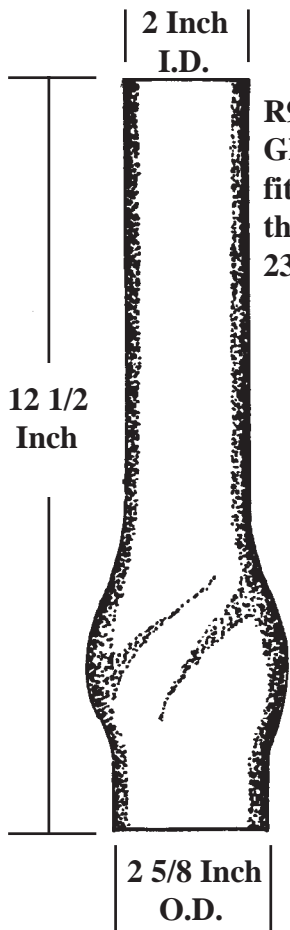


ALADDIN®

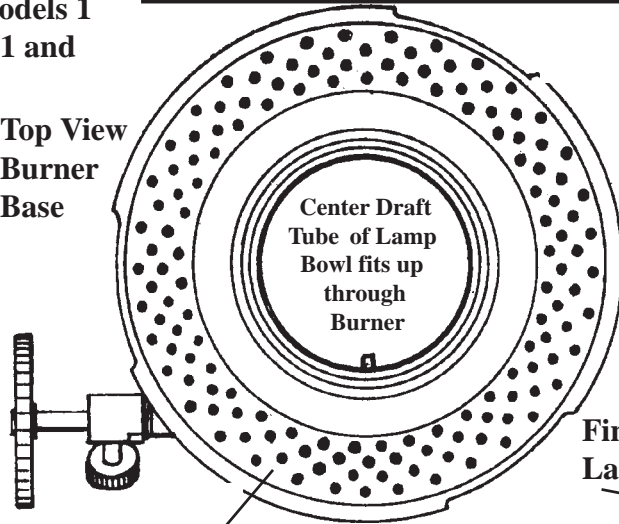
MODEL NO. 1 EXPLODED VIEW PARTS LIST

Sold from May 1908 to April 1909

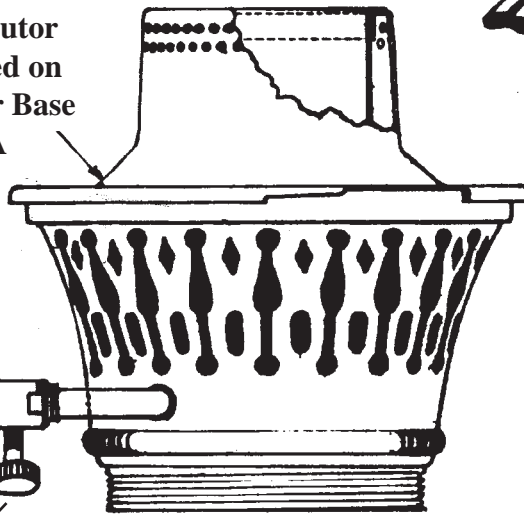


R910 Heel-less Glass Chimney fits Models 1 thru 11 and 23A

Top View Burner Base



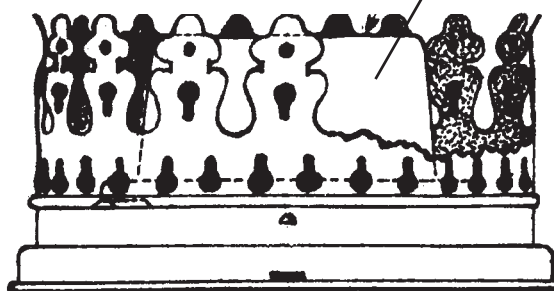
Model 1 Air Distributor installed on Burner Base N/A



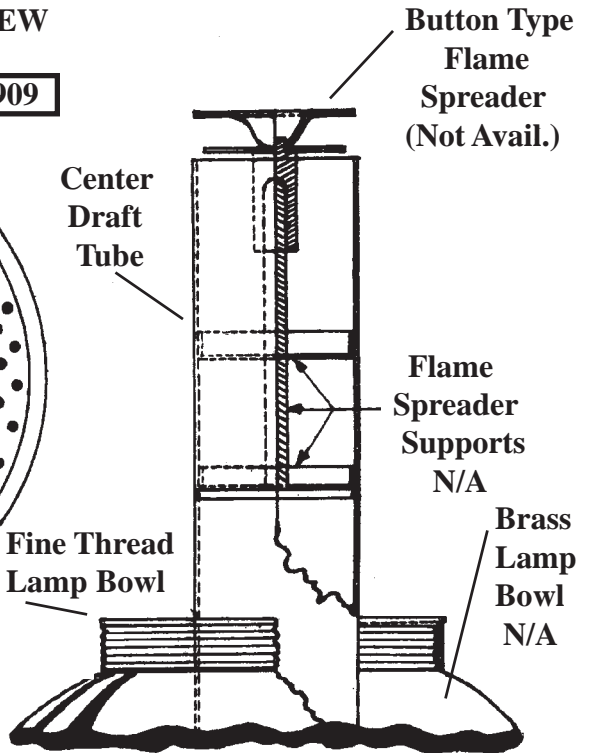
Side View Model No. 1 Burner Base (Not Available)

Adjustable Wick Wheel Set Screw N/A

Burner Cone

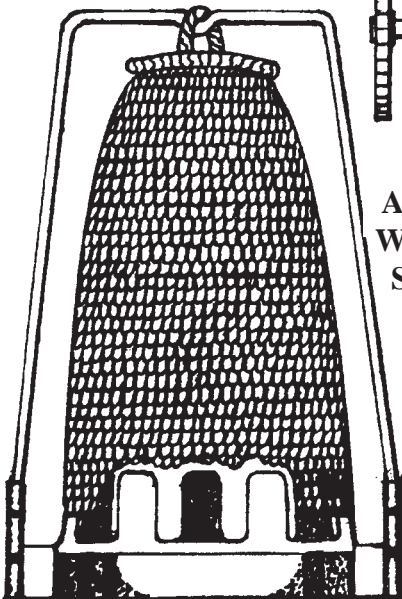


Model No. 1 Gallery with Burner Cone N/A

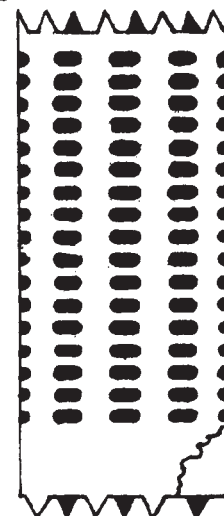


2 5/8 Inch O.D.

Face Model No. 1 Burner Knob



Model No. 1 Cap Mantle N/A



Model No. 1 Wick Raiser N/A

NOTE: Use any one inch Aladdin wick by removing metal tabs and installing in Model 1 wick raiser.



Aladdin Mantle Lamp Company
681 International Blvd.
Clarksville, TN 37040, USA
Tel: 800-457-5267 FAX: 931-647-4517
www.aladdinlamps.com
e-mail: sales@aladdinlamps.com

Lighting The World, Since 1908