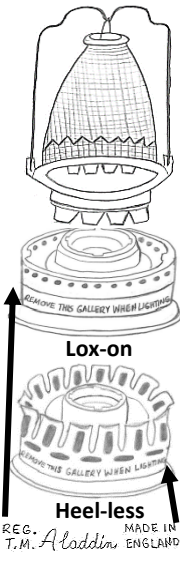


Model 23 & 23A

Side Draft Kerosene Mantle Lamp—Exploded Parts Diagram



Lox-On Mantle

Fits Galleries: 12, A/14/16A, B/16B, C, 21/21C, 23/23A, and MAXbrite® 500 series; will fit 3-11 with adapter N146A

Replacement: R150
Gallery

Fits Burners: 21/21C, 23/23A, and MAXbrite® 500 series; may fit 12, A/14/16A, B/16B, and C

Lox-on

Replacement: N239 No longer available

Heel-less 23A

Replacement: N239AB / N239AN

Thimble Flame Spreader

-2 notches in the bottom
1 1/16" H x 7/8" OD

Fits Burners: 12, A/14/16A, B/16B, C, 21/21C, 23/23A, 23E60, and MAXbrite® 500 series

Replacement: N106
Outer Wick Tube/ Air Distributor

Fits Burners: 21/21C, 23/23A, and 23E60

Replacement: N238 No longer available

Nu-Type Burner Basket
2 1/16" threads

Fits Lamps: A/14/16A, B/16B, C, 21/21C, 23/23A, and MAXbrite® 500 series

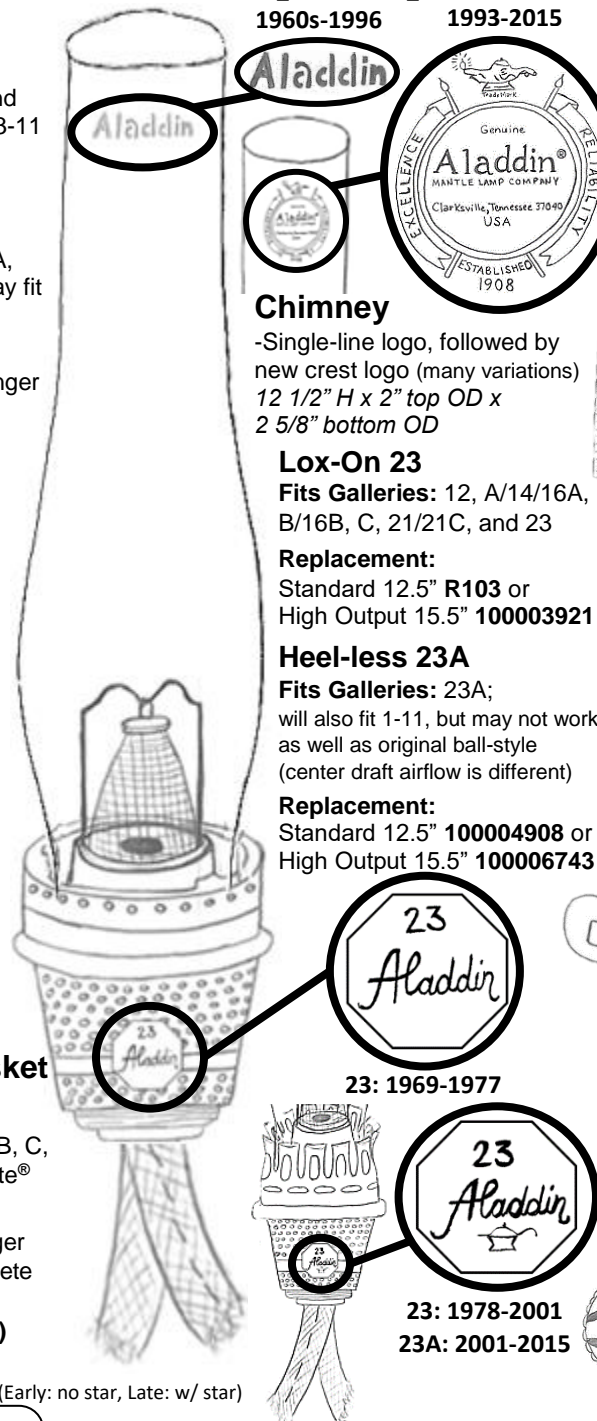
Replacement: N235 No longer available; replace with complete MAXbrite® assembly
10003606 (B) / 10003607 (N)

REGISTERED TRADEMARK Aladdin No 23 MADE IN ENGLAND G.B. PAT. NO. 2551086 OTHER PATS. PENDING England

REG. TM. Aladdin MANUFACTURED UNDER U.S. PATENT NO. 2,551,086 Hong Kong (Early: no star, Late: w/ star)

Burner Versions

| Year | # | Name | Knob Detail | Gallery |
|-----------|-----|-------------------|-------------|-----------|
| 1969 | 23 | England #1 | 23 Aladdin | Lox-on |
| 1970-1974 | 23 | England #2 | 23 Aladdin | Lox-on |
| 1976-1977 | 23 | England #3 | 23 Aladdin | Heel-less |
| 1975-1977 | 23 | Hong Kong #1 | 23 Aladdin | Lox-on |
| 1978-1979 | 23 | Hong Kong #2 | 23 Aladdin | Lox-on |
| 1980-2001 | 23 | Hong Kong Star #1 | 23 Aladdin | Lox-on |
| 1983-1997 | 23 | Hong Kong Star #2 | 23 Aladdin | Heel-less |
| 2001-2015 | 23A | Hong Kong Star #3 | 23 Aladdin | Heel-less |



1960s-1996

1993-2015



Chimney

-Single-line logo, followed by new crest logo (many variations)
12 1/2" H x 2" top OD x 2 5/8" bottom OD

Lox-On 23

Fits Galleries: 12, A/14/16A, B/16B, C, 21/21C, and 23

Replacement:

Standard 12.5" R103 or High Output 15.5" 100003921

Heel-less 23A

Fits Galleries: 23A; will also fit 1-11, but may not work as well as original ball-style (center draft airflow is different)

Replacement:

Standard 12.5" 100004908 or High Output 15.5" 100006743

Wick raiser arms slide over clips on the sides



1" Tubular Wick

-Reinforced
7/8" ID x 1 1/8" OD, 8 3/4" L

Fits Burners: 23/23A, 23E60, and MAXbrite® 500 series; will fit 21/21C when using wick raiser N233

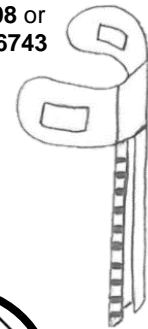
Replacement: N230



23: 1969-1977



23: 1978-2001
23A: 2001-2015



Wick Raiser

-Mounts into burner from the top

2 7/32" L x 1 1/4" OD, gearing on left

Fits Burners: 23/23A, and MAXbrite® 500 series burners; Also use on 21/21C with wick N230

Replacement: N233

1" Wick Cleaner (Trimmer)

-Plastic

Fits Wicks: Works for all 1" Aladdin

Replacement: R111

Crownplace Brands

13110 Emerson Rd
Apple Creek, OH 44606
Phone: (888) 332-5534
Fax: (815) 572-8518
Website: www.aladdinlamps.com
Email: info@crownplacebrands.com



Simply Brilliant™

"Light where you want it –
When you want it –
Without the need for electricity."

That's the magic of Aladdin!